

Bat In Box

Description

Easily connect your Bat In Box instance with your Switch flow.

Compatibility

Switch 2022 Spring and more.

Bat In Box

The app requires Bat In Box.

Bat In Box is a very simple and fast online proofing solution.

More information: <https://graphique-alliance.com/bat-in-box-echanges-de-bat/>

Connections

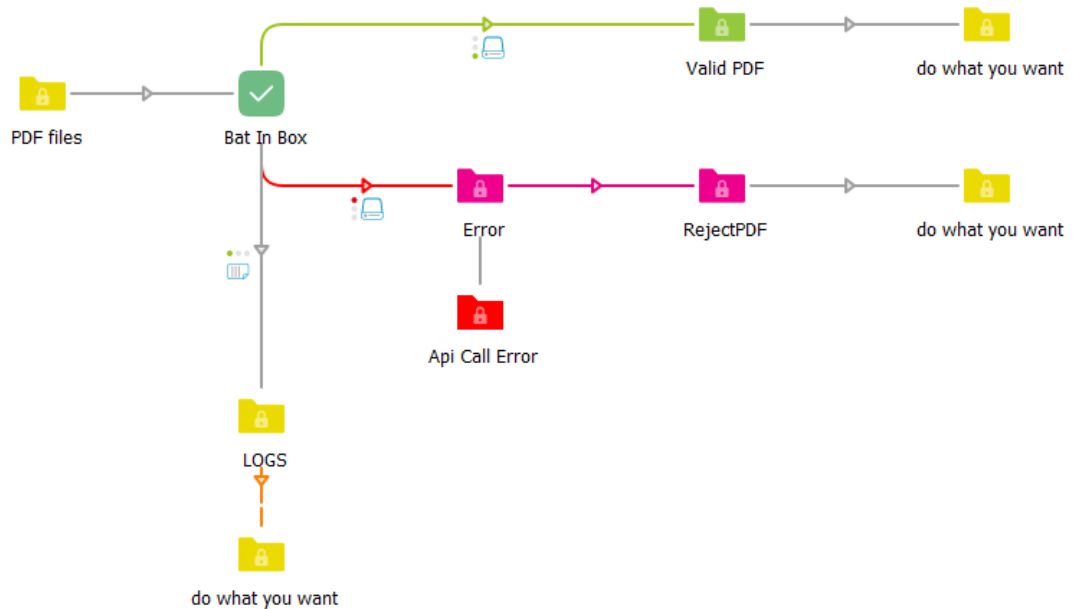
The Bat In Box app uses https requests to Bat In Box API to send PDF file to BAT In Box and retrieve proofing status from Bat In Box for each PDF files send.

Installation and configuration

First, you need to create Api Key from your Bat In Box instance:



Application	Utilisateur api	Date de création
switch	Support Graphique Alliance	

Flow exemple :**Flow elements properties**

- URL bat in box
- Api key
- Folder in bat in box
- Metadatas
 - key=value
 - Json
- Send email with bat in box
 - Submission email
 - Approval email
- Dataset name
- Dataset type
 - XML
 - Opacity

Outgoing connections properties

- Data
 - Success
 - Error*
- Logs

** If the error is related to the BatInBox API issue, the privateData batInBoxDataTag.ApiCallError equals true Otherwise the privateData batInBoxDataTag.ApiCallError equals false*